

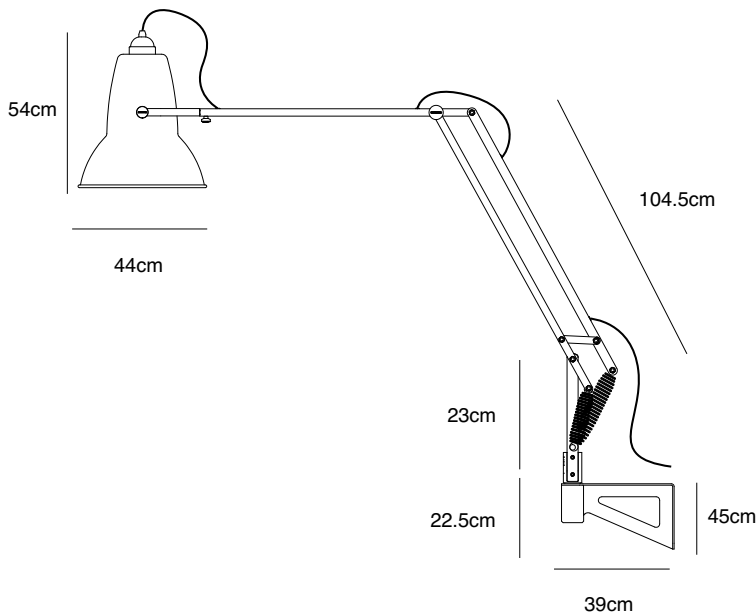
# Original 1227™ Giant Outdoor ANGLEPOISE® Wall Mounted Lamp

Original 1227™ Giant Outdoor Collection | Technical Sheet

Launched In 2016 | Designed by George Carwardine



95cm



Product	Closest RAL Reference
---------	-----------------------

## Gloss Finish

Wall Mounted Lamp - Jet Black With Black Cable Braid	9017
Wall Mounted Lamp - Linen White With Grey Cable Braid	9010
Wall Mounted Lamp - Dove Grey With Grey Cable Braid	7040
Wall Mounted Lamp - Alpine White With Grey Cable Braid	9016
Wall Mounted Lamp - Citrus Yellow With Black Cable Braid	1018
Wall Mounted Lamp - Crimson Red With Black Cable Braid	3001
Wall Mounted Lamp - Fresh Orange With Black Cable Braid	2011
Wall Mounted Lamp - Marine Blue With Black Cable Braid	5001

## Satin Finish

Wall Mounted Lamp - Duck Egg Blue With Grey Cable Braid	BS16C33*
Wall Mounted Lamp - Blossom Pink With Grey Cable Braid	BS453*
Wall Mounted Lamp - Slate Grey With Black Cable Braid	7012
Wall Mounted Lamp - Jet Black With Black Cable Braid	9017

## Wall Mounted Lamp - Custom Colour or Finish

\*British Standards colour reference.

## Description

Our Original 1227™ Outdoor Giant wall mounted lamp has all the impact and unrivalled functionality of its floor-standing sibling, but with added flexibility, courtesy of a clever articulated arm. Space saving and discreet when tucked back against a wall, this highly durable lamp takes centre stage when stretched out to illuminate an outdoor space.

## Materials

- Gloss or satin powder coat finishes
- Stainless steel adjuster wheels, shade cap, fasteners and spacers
- Aluminium fork block, bridle, shade, arms and fork
- Powder coated steel wall mounting bracket
- Silicone rubber covered cable
- Anglepoise® constant tension spring technology

## Dimensions

- Shade diameter: 44cm
- Shade height: 47cm
- Max reach: 230cm (from wall to shade)
- Cable length: 1000cm
- Lamp Packaging (L x W x H): 98cm x 64.5cm x 184cm
- Lamp Packaged Weight: 43.6kg

## Electrical

- Voltage: 220/240V, 50/60 Hz
- Class I - Earth Connection Required
- E27 lamp holder
- Maximum permitted bulb: 60W Halogen
- Inline electrical connector (assembled 150cm from product)
- Plug: None - To be installed by qualified electrical installer
- Supplied with 13W E27 A65 LED bulb:
  - Luminous Intensity: 1200lm
  - Life: 15,000 Hours
  - Non-dimmable
  - Colour Temperature: 2700K
  - CRI (Ra): 80



IP65 Rated  
Outdoor Suitable



Customize  
Custom colour &  
finish available