

Mito

technical specification



.mdd

.mdd has a leading position among manufacturers of office furniture with many awards that prove quality and continuously increase demand for its products.

The realities of today's market require constant quality improvement at all levels of modern organization. This applies in particular to customer service, marketing, quality of products and also to quality of processes within the company.

Partnership relations among employees and with business partners form a base of economic growth and success of the company.

Constant investments in innovative machinery park, optimization of management systems and an expansion of production halls allow to minimize the lead times for the product of the highest quality.

More than twenty years of experience in office furniture industry come with reference from a long list of companies and institutions to show their appreciation for an efficient and comprehensive service.

.mdd is highly aware of the environment.

Being located in the forest region with lake by its side, .mdd takes the nature seriously and invests constantly in a modern and energy-efficient solutions to preserve the local life. Company puts emphasis on waste segregation and recycling. .mdd has been awarded for the exceptional care and involvement in waste disposal. All materials used are environmentally friendly and enjoy a high 95 % rate of being recycled.



General informations:

Warranty:

.mdd products - **5 years.**

Electrical components and fabric - **2 years.**

Certificate - MFC:



Compliant with standards:

PN-EN 527-2:2017-02

PN-EN 14073-2:2006

Boards density:

12 mm - 690 - 750 kg/m³

18 mm - 650 - 690 kg/m³

28 mm - 610 - 630 kg/m³

36 mm - 610 - 630 kg/m³

Assembly:

product delivered in separate elements

Packing:

desks, desks with managerial storage,

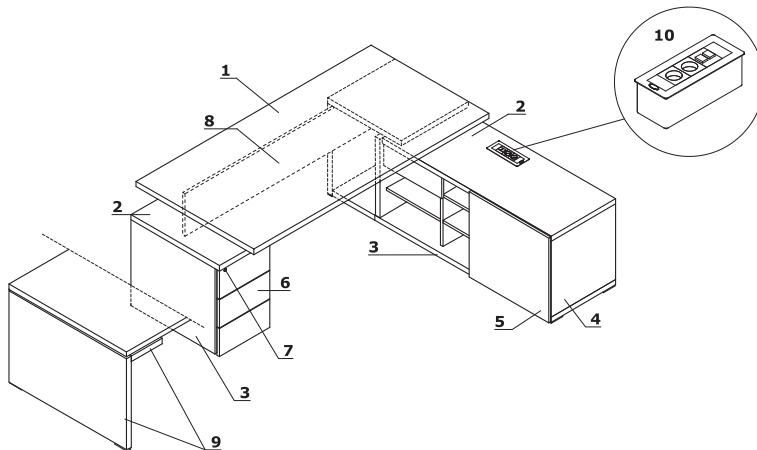
electric desks, pedestals, storages:

cardboard;

tables:

cardboard, perforated plastic mesh wrap

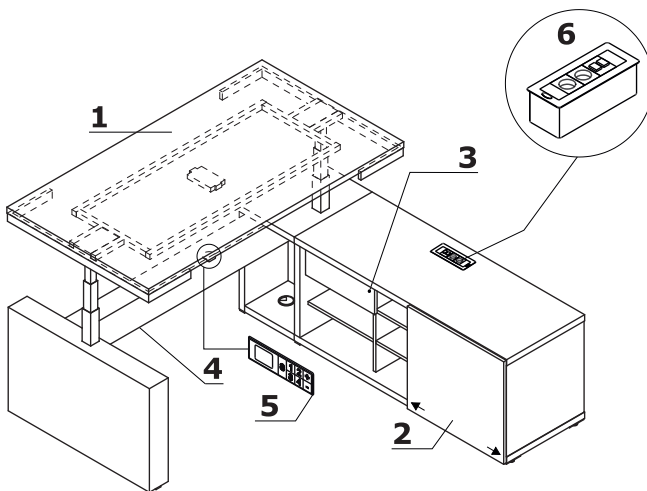
Desks



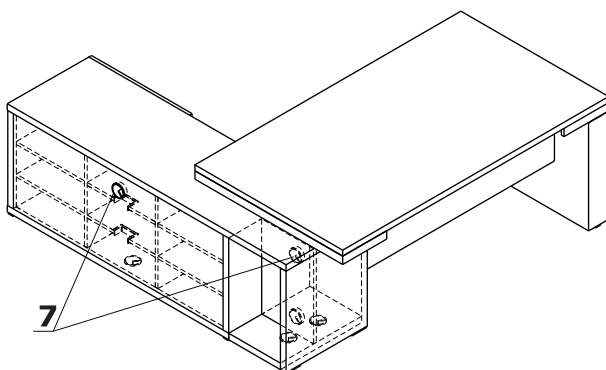
- 1. **Worktop** - MFC 38 mm, ABS edge
- 2. **Top** - MFC 38 mm, ABS edge
- 3. **Base** - MFC 38 mm, ABS edge
- 4. **Body** - MFC 18 mm, ABS edge
- 5. **Sliding front** - MFC 18 mm, ABS edge
- 6. **Front** - MFC 18 mm, ABS edge
- 7. **Central lock** - foldable key
- 8. **Modesty panel** - MFC 18 mm, ABS edge
- 9. **HPL base** - high gloss - 38 mm
- 10. **Mediaport S91E** - OPTION WITH EXTRA CHARGE - 2x 230V, 2x RJ45

Desks with electric height adjustment and managerial storage

www.mdd.eu

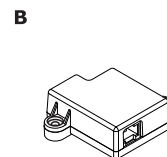
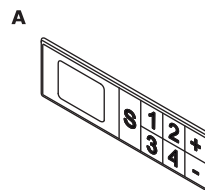


- 1. **Worktop** - MFC 38 mm, ABS edge
- 2. **Sliding front** - MFC 18 mm, ABS edge
- 3. **Drawer** - MFC 18 mm, ABS edge, possible to change location
- 4. **Electric height adjustable frame** - powder coated steel, load 100 kg, telescopic leg 60/60, 50/50, 40/40 mm
- 5. **Control panel:**
 - A - up and down keypad with memory, the ability to change the sensitivity of the anti-collision system within 3 levels: Low, Medium, High
 - B - OPTION FOR AN ADDITIONAL COST to panel A - bluetooth module - control via MDD Desk BT application (downloadable from Google Play or App Store). The app has a time interval function that informs the user about the need of changing body position (from sitting to standing or sitting)
- 6. **Mediaport S91E** - OPTION WITH EXTRA CHARGE - 2x 230V, 2x Rj45
- 7. **Cable grommets**

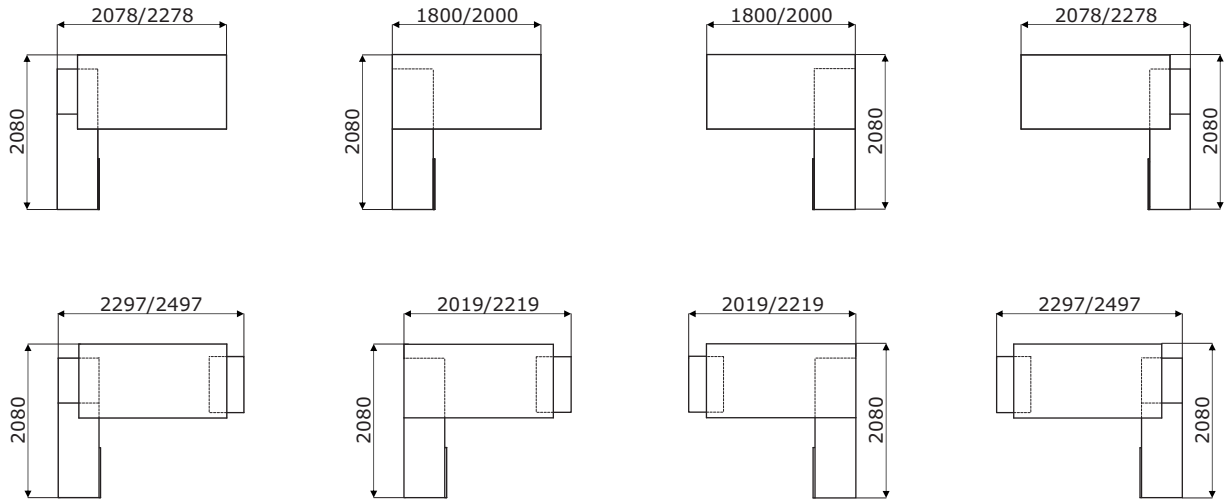


Frame technical specification:

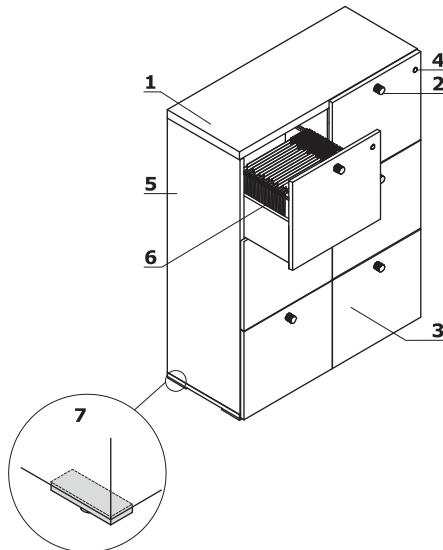
- **Height adjustment** - 40 mm/sec Super Soft Start - Stop
- **Drive** - 2 synchronised motors with microprocessor, work control sensor
- **ISP** - Intelligent System Protection
- **Standards** - ISO 21016, EN 527-2, EN 527-3
- **EU Directives** - 206/95EC, UI508 1999, UL 1004 R7 06, WE DC 2004/108WE
- **Power supply** - 230V, 300W, power consumption on Standby - 0.3W



Configuration examples (mm)



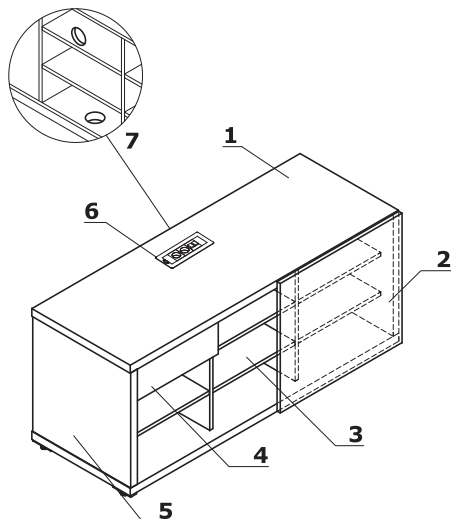
Filing drawers storages



- 1. Top - MFC 38 mm, ABS edge
- 2. Aluminum handle
- 3. Front - HPL - high gloss
- 4. Central lock - foldable key
- 5. Side panels - MFC 18 mm, ABS edge
- 6. Suspension files drawer - MFC 18 mm, ball runners, max load 45kg, 100% extraction
- 7. Leveling - 5 mm range

www.mdm.eu

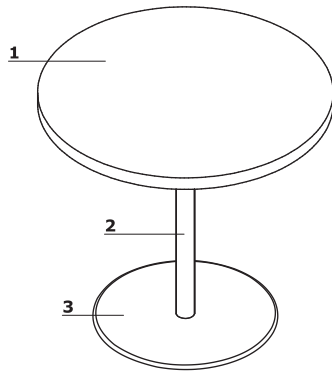
Managerial storages



- 1. Top - MFC 38 mm, ABS edge
- 2. Front - MFC 18 mm, ABS edge
- 3. Interior - MFC 18 mm
- 4. Drawer - MFC 18 mm, ABS edge, patent lock - possible to change location
- 5. Side panels - MFC 38 mm, ABS edge
- 6. Mediaport S91E - OPTION WITH EXTRA CHARGE - 2x 230V, 2x RJ45
- 7. Cable grommets - Ø80 mm

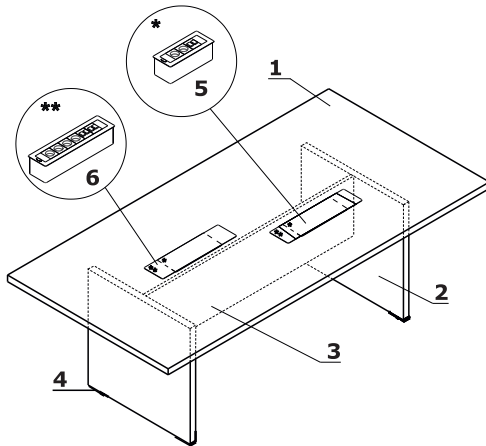
Disc base meeting tables

- 1. **Worktop** - MFC 38 mm, ABS edge
- 2. **Column** - powder coated steel
- 3. **Disc** - stainless steel



MFC base meeting tables

- 1. **Worktop** - MFC 38 mm, ABS edge
- 2. **HPL base** - high gloss - 38 mm
- 3. **Modesty panel** - MFC 18 mm, ABS edge
- 4. **Leveling** - 5 mm range
- 5. **Mediaport S91E** - OPTION WITH EXTRA CHARGE - 2x 230V, 2x RJ45
- 6. **Mediaport S92E** - OPTION WITH EXTRA CHARGE - 4x 230V, 4x RJ45

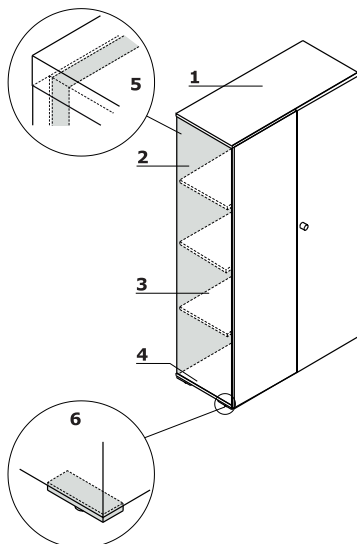


www.mdd.eu

ATTENTION: For tables MIT06, MIT07, MIT08 conference tables with mediaboxes can be ordered as option. To order add a letter at the end of a product index: Mediabox S91E: Locations A,B (1pcs - extra charge 330,-), or C (2pcs - extra charge 660,-) | -Mediaport S92E: Locations G,H (1pcs - 500,-), or K (2pcs - 1000,-)

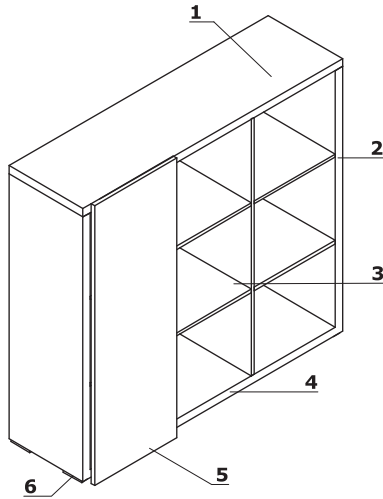
Storages

- 1. **Top** - MFC 18 mm, ABS edge
- 2. **Side panels** - MFC 18 mm, ABS edge
- 3. **Shelf** - MFC 18 mm, protection against accidental falling-out, ABS edge
- 4. **Base** - MFC 18 mm, ABS edge
- 5. **Back MFC** - 18 mm, ABS edges
- 6. **Leveling** - 5 mm range
- 7. **Espagnolette lock in doorknob**



Mito	Date of preparation 19.03.2021	The data contained in this document is valid in the day of its preparation. Change of the product, as long as it does not affect the basic features of it, does not require consistent updates of the document.	page 5/16 technical specification
------	-----------------------------------	---	--------------------------------------

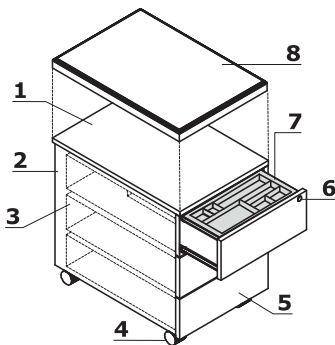
Sliding door storages



1. Top - MFC 38 mm, ABS edge
2. Side panels - MFC 38 mm, ABS edge
3. Interior - MFC 18 mm
4. Base - MFC 38 mm, ABS edge
5. Sliding front - MFC 18 mm, ABS edge
6. Leveling - 5 mm range

Sliding front storages MIT7 / MIT18

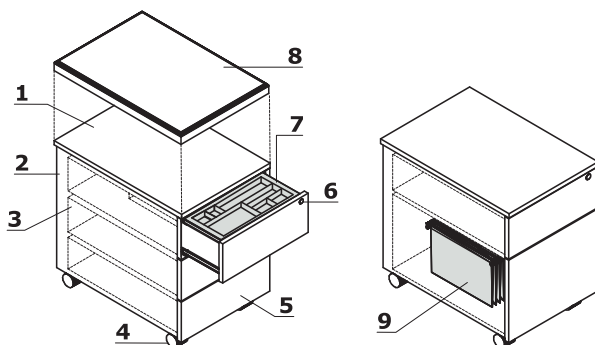
Mobile pedestal without handles (MIT120, MIT130)



1. Top - MFC 18 mm, ABS edge
2. Body - MFC 18 mm, ABS edge
3. MFC drawer - ball runners, max load 25kg, 100% extraction; Anti-tilt mechanism, soft closing
4. Castors - Ø50 mm, two with brakes
5. Front - MFC 18 mm, ABS edge
6. Central lock - foldable key
7. Pencil tray - plastic, colour: black
8. Optional cushion SKP13 - for pedestal, max load 120 kg, ordered separately

ATTENTION - sitting on the pedestal possible only after mounting the cushion (SKP13); the pedestal with cushion is intended for sitting only
- moving the pedestal while sitting may result in damaging the castors

Mobile pedestal without handles (SLD12HT, SLD13HT)

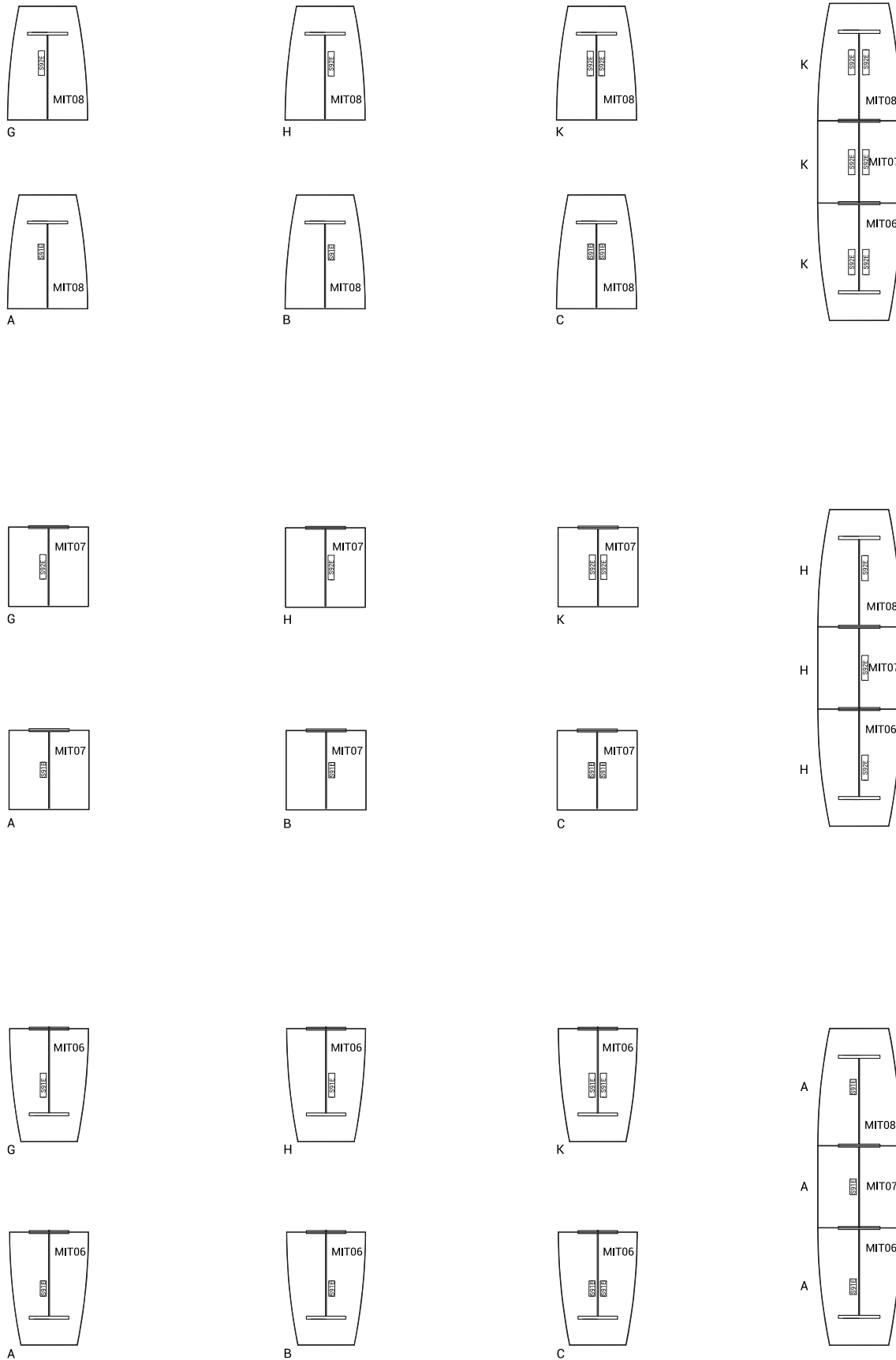


1. Top - MFC 18 mm, coated with HPL high gloss
2. Body - MFC 18 mm, ABS edge
3. Metal drawer - roll runners, max load 25 kg, 80% extraction, anti-tilt mechanism; OPTION WITH EXTRA CHARGE - ball runners, soft-closing system
4. Castors - Ø50 mm, two with brakes
5. Front - MFC 18 mm, coated with HPL high gloss, ABS edge
6. Central lock - foldable key
7. Pencil tray - plastic, colour: black
8. Optional cushion SKP13 - for pedestal, max load 120 kg, ordered separately
9. Suspension files drawer - ball runners, max load 30 kg, 100% extraction, A4 folders must be inserted parallelly to the front

ATTENTION - sitting on the pedestal possible only after mounting the cushion (SKP13); the pedestal with cushion is intended for sitting only
- moving the pedestal while sitting may result in damaging the castors

Mito	Date of preparation 19.03.2021	The data contained in this document is valid in the day of its preparation. Change of the product, as long as it does not affect the basic features of it, does not require consistent updates of the document.	page 6/16 technical specification
------	-----------------------------------	---	--------------------------------------

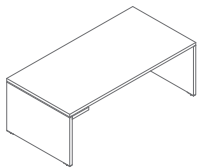
Possible mediaport location



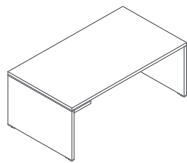
TO ORDER PRODUCT WITH MEDIABOX, AT THE END OF THE SYMBOL SHOULD BE ADDED A LETTER (A,B...); WHICH IS CORRESPONDING TO THE SELECTED CONFIGURATION (EX. MIT06A);

<p>Mito</p>	<p>Date of preparation 19.03.2021</p>	<p>The data contained in this document is valid in the day of its preparation. Change of the product, as long as it does not affect the basic features of it, does not require consistent updates of the document.</p>	<p>page 7/16 technical specification</p>
--------------------	---	--	--

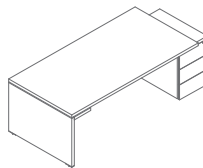
Desks *



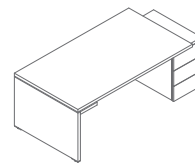
MIT3
2000 / 1000 / 740
97.75 kg



MIT4
1800 / 1000 / 740
95.45 kg

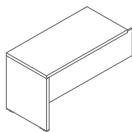


MIT3KD
2219 / 1000 / 740
126.45 kg



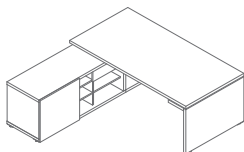
MIT4KD
2019 / 1000 / 740
121.45 kg

Desk extension *

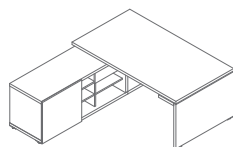


MIT12
1200 / 600 / 740
32.4 kg

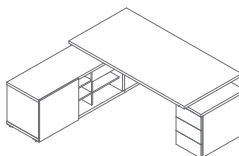
Desks with managerial storage *



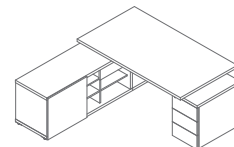
MIT1
2000-2278 / 2080 / 740
200.75 kg



MIT2
1800-2078 / 2080 / 740
198.45 kg



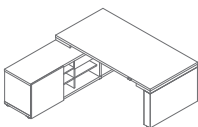
MIT1KD
2219-2497 / 2080 / 740
220.65 kg



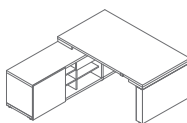
MIT2KD
2019-2297 / 2080 / 740
215.65 kg

www.mdm.eu

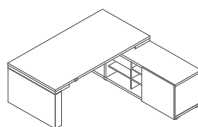
Desks with electric height adjustment and managerial storage *



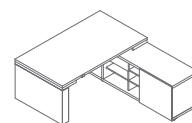
MIT1RL
2190 / 2080 / 1300-760
279.9 kg



MIT2RL
1990 / 2080 / 1300-760
272.4 kg



MIT1RP
2190 / 2080 / 1300-760
279.9 kg

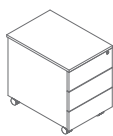


MIT2RP
1990 / 2080 / 1300-760
272.4 kg

* dimensions expressed in millimeters: width x depth x height

Mito	Date of preparation 19.03.2021	The data contained in this document is valid in the day of its preparation. Change of the product, as long as it does not affect the basic features of it, does not require consistent updates of the document.	page 8/16
			products

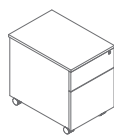
Mobile pedestal without handles *



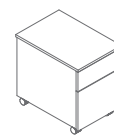
MIT130
428 / 600 / 586
35 kg



SLD13HT
416 / 600 / 587
23 kg



MIT120
428 / 600 / 586
32 kg



SLD12HT
416 / 600 / 587
23 kg

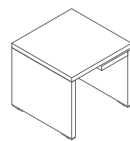
Meeting tables *



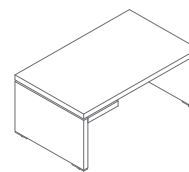
MIT10
800 / 800 / 740
36 kg



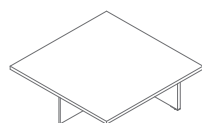
MIT17
1200 / 1200 / 740
64 kg



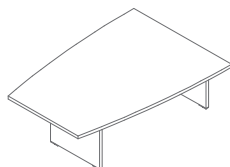
MIT23
600 / 600 / 550
32 kg



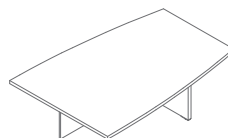
MIT9
1000 / 600 / 450
33 kg



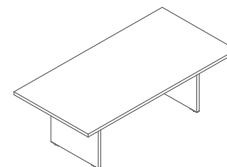
MIT07
1400 / 1400 / 740
67.4 kg



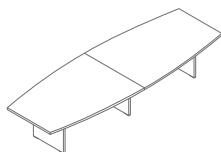
MIT06
2000 / 1000-1400 / 740
89.2 kg



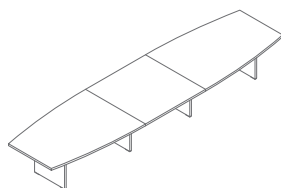
MIT08
2000 / 1000-1400 / 740
77.2 kg



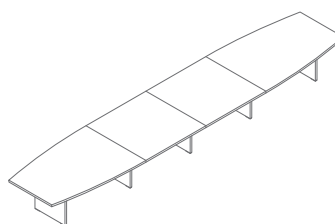
MIT11
2200 / 1100 / 740
86.8 kg



MIT24
4000 / 1400-1000 / 740
166.4 kg



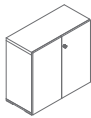
MIT25
5400 / 1400-1000 / 740
233.8 kg



MIT26
6800 / 1400-1000 / 740
301.2 kg

* dimensions expressed in millimeters: width x depth x height

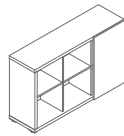
Storages with HPL front *



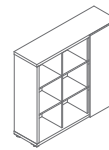
MIT21
916 / 418 / 879
49 kg



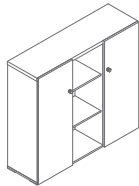
MIT19
916 / 418 / 2077
98 kg



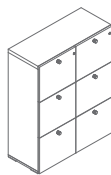
MIT18
1400 / 422 / 879
72 kg



MIT7
1400 / 422 / 1280
97 kg

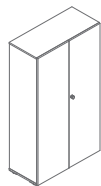


MIT20
1363 / 418 / 1280
89 kg

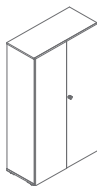


MIT22
980 / 418 / 1280
87 kg

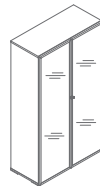
Storages *



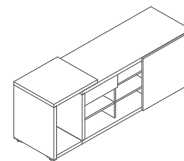
MIT8
916 / 418 / 1661
74.6 kg



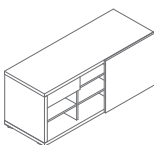
MIT15
916 / 418 / 1661
79.3 kg



MIT16
916 / 418 / 1661
82.5 kg



MIT5
1887 / 572 / 690
121.6 kg



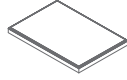
MIT6
1500 / 572 / 652
97.6 kg

* dimensions expressed in millimeters: width x depth x height

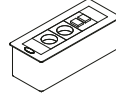
Accessories *



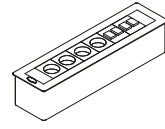
S100
416 / 600 / 5
0 kg



SKP13
400 / 600 / 52
3 kg



S91E
267 / 110 / 93
1 kg



S92E
426 / 110 / 93
1 kg

* dimensions expressed in millimeters: width x depth x height

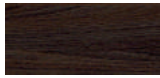
Mito	Date of preparation 19.03.2021	The data contained in this document is valid in the day of its preparation. Change of the product, as long as it does not affect the basic features of it, does not require consistent updates of the document.	page 11/16
			products

Desks, MIT11

Top



172 Amber oak



173 Robinia

Base HPL



73 White high gloss



101 Black high gloss



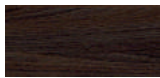
155 Anthracite high gloss

Tables - disc base

Top



172 Amber oak



173 Robinia

Supporting leg



M009 Aluminum semi-matt RAL9006



M015 White semi-matt RAL9010



M115 Black semi-matt RAL9005



M154 Anthracite semi-matt RAL 7043

MIT5



73 White high gloss



101 Black high gloss



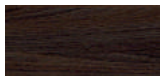
155 Anthracite high gloss

Storages with HPL front

Top, base, body



172 Amber oak



173 Robinia

Front



73 White high gloss



101 Black high gloss



155 Anthracite high gloss

Mobile pedestal without handles (SLD12HT, SLD13HT)

Top , front



73 White high gloss



101 Black high gloss



155 Anthracite high gloss

Mobile pedestal without handles (SLD12HT, SLD13HT)

Body



67 White pastel



08 Black

Mobile pedestal without handles (MIT120, MIT130)

Top, front, body



172 Amber oak



173 Robinia

Other elements of a system



172 Amber oak



173 Robinia

Desks with magerial storage

Top



172 Amber oak



173 Robinia

Grommet



Grey



Black

Body



73 White high gloss



101 Black high gloss



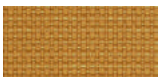
155 Anthracite high gloss

SKP13

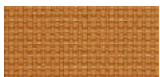
Fabric Nemo



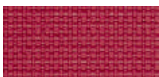
NE-1 Beige



NE-2 Yellow



NE-3 Orange



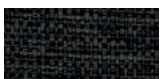
NE-5 Red



NE-9 Green



NE-10 Grey



NE-14 Graphite



NE-15 Navy blue



NE-16 Black



NE-17 Blue

Technical data:

Material	polyester 100%
Fabric weight	366g/m2
Abrasion resistance rubs	PN-EN ISO 12947 - 2:2 100,000
Pilling resistance	scale 1-8, max. 8, PN-EN ISO 105 - B02 (3-4)
Colour fastness to light	scale 1-5, max. 5, PN-EN 1021 - 2,
Colour fastness to rubbing	PN-EN 1021 - 1
	skscale 1-5, max. 5, EN ISO 105x12 (wet/dry) 4-5

Mito	Date of preparation 19.03.2021	The data contained in this document is valid in the day of its preparation. Change of the product, as long as it does not affect the basic features of it, does not require consistent updates of the document.	page 13/16
			colours

Fabric Runner – second price group



Technical data:

Material 80% polyester, 20% post-consumer recycled polyester

Fabric weight 510 g/lm (16.45 oz/lin.yd.)

Abrasion resistance rubs BS EN ISO 12947-2
70,000 Martindale cycles

Pilling resistance scale 1-5, max 5, EN ISO 12945-2 (4-5)

Colour fastness to light scale 1-8, max 8, EN ISO 105-B02 (5-7)

Colour fastness to rubbing scale 1-5, max 5, EN ISO 105x12 (wet/dry) 4-5

Acoustic test sound absorption ISO 354

Flammability BS EN 1021-2 Match, CA TB 117-2013, BS EN 1021-1 (cigarette) Class Uno UNI 9175 Class 2, EMME

Fabric Medley – second group



Technical data:

Material polyester 100%

Fabric weight 510 g/lm (16.45 oz/lin.yd.)

Abrasion resistance rubs BS EN ISO 12947-2, 75,000 cykli Martindale

Pilling resistance scale 1-5, max. 5, EN ISO 12945-2 (4)

Colour fastness to light scale 1-8, max. 8, EN ISO 105-B02 (5-7)

Colour fastness to rubbing scale 1-5, max. 5, EN ISO 105x12 (wet/dry) (4-5/4-5)

Acoustic test sound absorption ISO 354

Flammability BS EN 1021-1 (cigarette) BS 476 Part 7, Class 2 Class Uno UNI 9174 - UNI 8457 CA TB 117-2013 ASTM E 84 Class I

Fabric Atlantic * – second price group



Technical data:

Material polyester 100%

Fabric weight 530 g/lm (17.09 oz/lin.yd.)

Abrasion resistance rubs BS EN ISO 12947-2, 110,000 Martindale cycles

Pilling resistance scale 1-5, max. 5, EN ISO 12945-2 (4-5)

Colour fastness to light scale 1-8, max. 8, EN ISO 105-B02 (5-7)

Colour fastness to rubbing scale 1-5, max. 5, EN ISO 105x12 (wet/dry)

Flammability CA TB 117-2013 ASTM E 84 Class I BS EN 1021-2 (match) BS EN 1021-1 (cigarette)

* There is a possibility of ordering the product in full colour spectrum of Atlantic range, as per Gabriel's pattern book, within 8 weeks

Fabric River - second group



Technical data:

Material polyester 100%

Fabric weight 300g/m2 (+/- 5%)

Abrasion resistance rubs 100,000 Martindale cycles (EN ISO 12947-1,2)

Pilling resistance EN ISO 12945-2 (5)

Colour fastness to light 4 (EN ISO 105-B02)

Colour fastness to rubbing dry: 4-5, wet: 3 (EN ISO 105-x12)

Flammability BS 5852: Part 1, Ignition Source 0 (cigarette)
BS 5852: Part 1, Ignition Source 1 (match)
En1021 - 2

Fabric Xtreme - third price group



Technical data:

Material 100% Trevira Clame (CS)
100% Recykling (YS)
Flame Retardant polyester.
Non metallic dyestuffs.

Fabric weight 310 g/m2 ±5% (435g/lin.m ±5%)

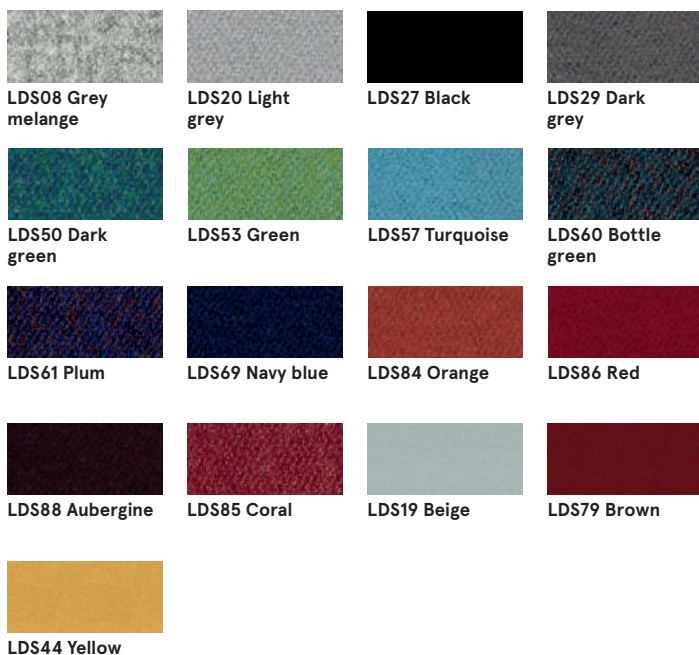
Abrasion resistance rubs 60,000 Martindale cycles (CS)
100,000 Martindale cycles (YS)

Colour fastness to light 6 (ISO 105 - B02)

Colour fastness to rubbing wet: 4, dry: 4 (ISO 105 - X12)

Flammability EN 1021 - 1 (cigarette),
EN 1021 - 2 (match)
BS 7176 Low Hazard,
NF P92-507 M1, DIN 4102 B1,
UNI 9175 Class 1 IM, UNI 8456,
UNI 9174 & UNI 9177 Classe Uno,
ÖNORM B 3825 & A 3800-1
NF D 60-013

Fabric Synergy - third price group



Technical data:

Material 95% Virgin Wool, 5% Poliamid

Fabric weight 400g/m2 ±5% (560 g/lin.m ±5%)

Abrasion resistance rubs Independently certified
≥100,000 Martindale cycles

Colour fastness to light 5 (ISO 105 - B02)

Colour fastness to rubbing ISO 105 - X12 - wet: 4, dry: 4

Flammability EN 1021 - 1 (cigarette),
EN 1021 - 2 (match),
BS 7176 Low Hazard,
UNI 9175 Classe 1 IM,
ÖNORM B 3825 & A 3800-1

Fabric Silvertex – third price group

There is a possibility of ordering the product in full colour spectrum of Silvertex range, as per Spradling’s pattern book, within 15 working days.

Technical data:

Material	Topcoat: 100% Vinyl Backing: 100% Polyesterr Hi-Loft™
Fabric weight	685 gr/m2
Abrasion resistance	>300,000 cycles Martindale
UV-resistance	>= 7 (1000 hours, blue wool scale)
Cold Crack resistance	-23°C
Flame retardancy	NF P 92-503 / M2 EN 1021, Part 1&2 DIN 4102 B2 ÖNORM B 3825, Gruppe I – Schwerbrennbares Verhalten ÖNORM A 3800, Teil I, Qualmbildungsklasse QI – schwachqualmend IMO Res. MSC.307 (88) (2010 FTP Code) Annex I Part 8 (MED) Marine Equipment Directive in its current valid version UNI 9175 (1987) / UNI 9175/FAI (1994) Classe I.IM (uno I EMME) UNE 23.727-90 IR /M2 EN 71-2: 2006+AI: 2007 Safety of Toys – Part 2: Flammability ECE R 118 (replaces Directive 95/28/EC) FMVSS 302 FAR 25/853
Antimicrobial	Antifungal Protection, Antibacterial Protection, Antimycotic Protection

Fabric Atlas – fourth price group



Technical data:

Material	90% new wool, 10% nylon
Fabric weight	286g/m2, 400g/lm
Abrasion resistance rubs	100,000 cyklí Martindale, EN ISO 12947
Colour fastness to light	ISO 105 B02: 6-7
Colour fastness to rubbing	ISO 105-X12:2001, (wet/dry) 4-5/4-5
Flammability	BS EN 1021-2 Match, BS EN 1021-1 Cigarette, BS 5 5852 Crib 5, BS 5852 ignition source 3, BS 5852 Part 1, NF D 60 013, UNI 9175 1IM, US Cal. Bull. 117-2013

Fabric Field2 – fourth price group



Technical data:

Material	100% Trevira CS
Fabric weight	321g/m2, 450g/lm
Abrasion resistance rubs	100,000 cyklí Martindale, EN ISO 12947
Colour fastness to light	ISO 105 B02: 5-7
Flammability	BS EN 1021-2 Match, BS EN 1021-1 Cigarette, BS 5 5852 Crib 5, DIN 4102 B1 FAR 25.853, UNI 9177 classe 1, US Cal. Bull. 117-2013